

# Installation instructions

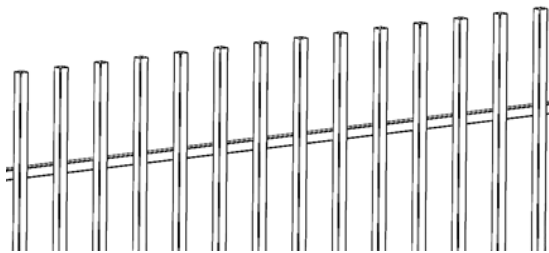
## FENCE ARROWHEADS



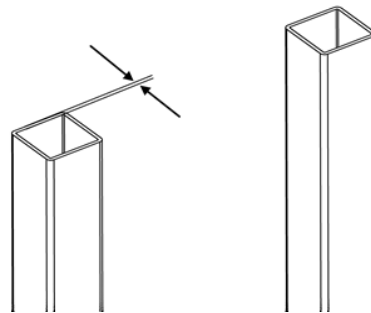
### ATTENTION!!!

For the installation of the arrowheads, a special mounting device should be used, adapted to their shape.

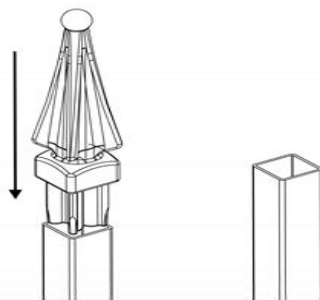
**Failure to comply with this warning may result in damage to the decorative elements.**



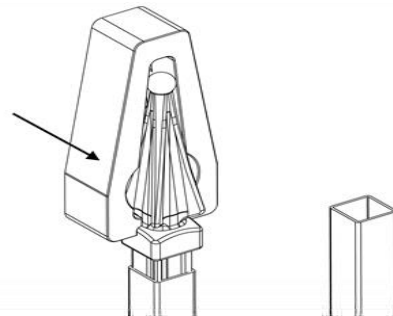
**1.** It is recommended to install decorative arrowheads on the installed fence bay.



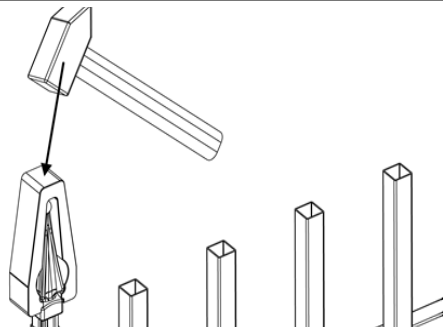
**2.** The wall thickness should be about 1.2mm (+/- 0,15mm)  
(if the profile post has a 1.5mm thick wall, use the WZR device)



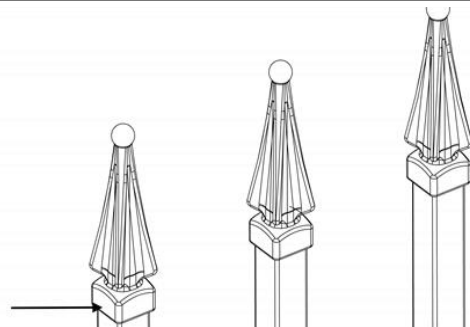
**3.** Slide the arrowhead onto the profile post until it stops.



**4.** Slide the WZM mounting device onto the arrowhead.



**5.** Hold the mounting device with one hand and hammer in until it stops.  
**ATTENTION** - do not hammer the arrowheads in too hard.



**6.** A properly installed arrowhead should cover the edge of the profile post.